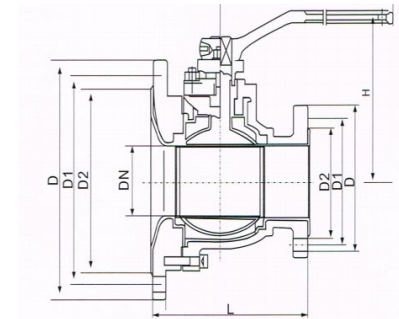


PFA Lined Discharge Ball Valve

Model: EQX41PFA

1. Two pieces full port standard lined ball valves offer high stability, rigidity and eliminating potential leak path.
2. Full port design minimizes pressure losses and increases flow capacities thus reducing energy and pumping costs.
3. Full bore design almost no fluid resistance, and good shut-off performance.
4. It features zero leakage, maintenance-free, one-piece stem and ball design, high sealing performance and can be used under full vacuum service.
5. Lower pressure drop and high flow characterized the efficiency of elite lined ball valves.
6. It can work as on-off or control valve.
7. It can sustain any corrosive medium in addition to the Molten alkali metals and fluorine elements? ? . It is ideal products used in chlor-alkali, industrial in organic chemicals, metal and mining, nitrogen and phosphatic fertilizers, petroleum refining, pharmaceutical etc.
8. Lining material: PFA, FEP, GXPO etc.
9. Operation methods: Manual, worm gear, electric, pneumatic and hydraulic actuator.
10. Elite lined ball valves are available as per the needs of applications in additional sizes and other than standard materials.



Design/Manufacturer Standard	ASME B16.34, HG/T 3704
Face-to-face Dimension	ASME B16.10, GB/T 12221
Flange Standard	ASME B 16.5, GB/T 9119, DIN, JIS
Inspection and Testing	API 598, GB/T 13927

Model NO.: EQX41PFA
 Connection Form: Flange
 Nominal Pressure: ANSI CLASS 150-900
 Structure: Floating Ball Valve
 Function: Relief Valve
 Application: Industrial Usage
 Materials: Wcb+PFA
 Treatment: Epoxy Painting
 Transport Package: Plywood Case
 Origin: Wenzhou, China

Material: Carbon Steel, CF8, CF8m, CF3, CF3m, Ductile Iron
 Driving Mode: Manual
 Channel: Straight Through Type
 Type: Floating Ball Valve
 Temperature: Normal Temperature
 Size: Dn25~250
 Pressure: 150lb
 Specification: CE, ISO9001, SGS, TS